

TURTLE TOUGH IMMERSION ROD – STAINLESS STEEL Parts List

(aka Stand Pipe, Dip Tube)

- Allows sensor installation from the top of a tank
- 316 Stainless steel
- 3 meters long, supplied as two pieces (1.5m each)
- Comes with
 - Mounting brackets
 - Female fittings for sensor attachment
 - Junction box mounting plate

The Turtle Tough 3 meter Stainless steel immersion rod assembly allows easy access from the top of tanks direct into critical measurement locations. The immersion rod comes complete with tank holder assembly, female fittings for probe attachment, plate holder for junction box and cable gland.

The unique design allows the immersion rod to be held in place without any bolts, screws or fittings allowing for instant insertion and retrieval from the tank without any tools. The prong like fingers extending from the top of the rod slip into the receiving location on the tank holder assembly, allowing gravity to hold it in steadily in place. This design allows slight movement of the immersion rod, which naturally buffers the ebbs and flow of the process. This natural shock absorption provides important protection for the sensor and limits the impact from the forces of high velocity fluids.

Installation Suggestion

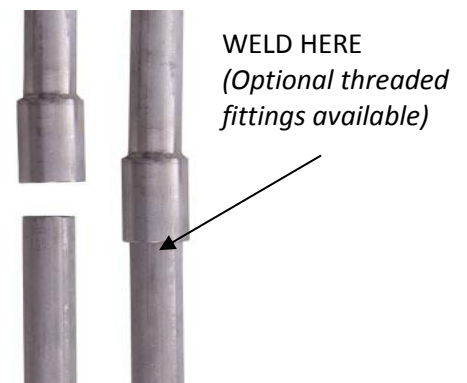
To install, simply attach the tank holder assembly to any tank structure, typically a guard rail at the tank perimeter or walkway. The side slot (pictured) must be in the upper position, and facing outward to the tank. The 3m rod comes in two 1.5m lengths to facilitate shipping. The lower section can be cut to any length to shorten the immersion rod. The upper section of the immersion rod has a joiner (female socket). The lower length must be inserted into the upper length and welded. If you do not have the ability to weld the join, an optional threaded connection can be supplied at an additional cost.

Options

Threaded fittings for joining sections of immersion rod can be ordered by special request when welding facilities are not available.

Immersion Rods can be ordered in any customer length. Please contact your representative for a quote.

Junction Boxes are not included and must be purchased separately. Plate holder for junction box is standard.





Immersion Rod Parts

Immersion Rod Top x 1 - Part A

- 316SS 20NB Sch 40 Pipe 1500mm long
 - with Junction Box mount plate.
- 3/4" MNPT socket at the top
 - with cable gland – and sleeve joiner at the base.

Immersion Rod Bottom x 1 – Part B

- 316SS 20NB Sch 40 Pipe 1500mm long
 - with 1" MNPT socket at the bottom for sensor install.

Tank Holder Assembly x 1 – Part C

- 316 SS 38 x 38mm SHS – 900mm in length
 - with a slot cut out on one side.

Optional

Guard Rail Clamp

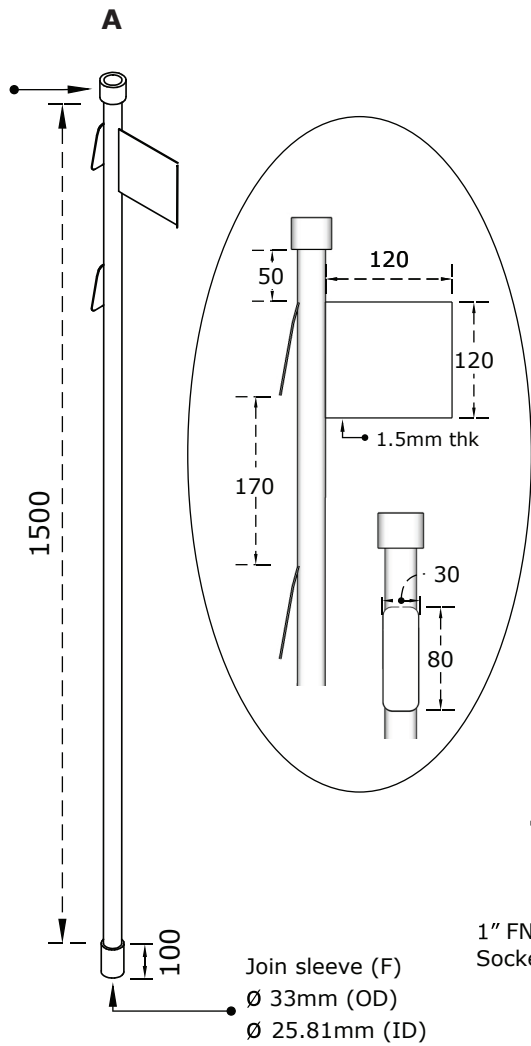
- Galvanised Clamp for Immersion rod retrieval

Junction Box

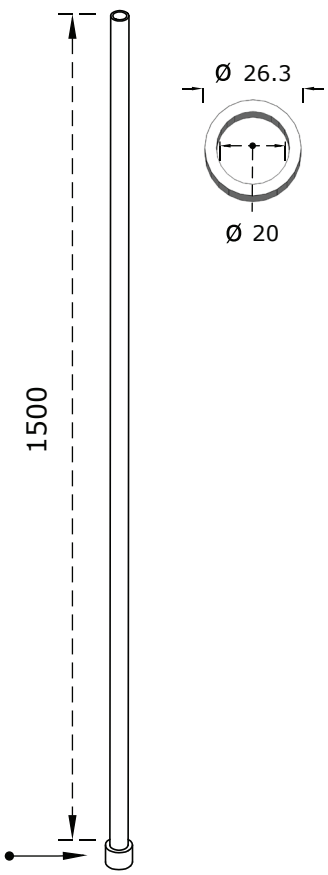
- Single Junction box for mounting at the top



3/4" FNPT
Socket (F)

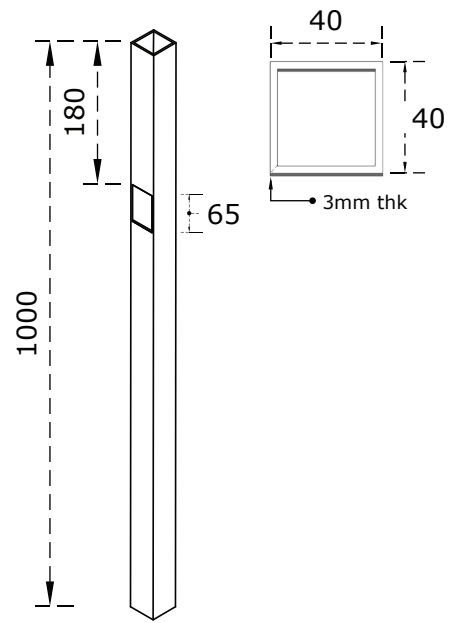


B



- A:** Immersion Rod Top Section - 316 Stainless Steel SCH 40 Pipe
- B:** Immersion Rod Bottom Section - 316 Stainless Steel SCH 40 Pipe
- C:** Holder Assembly - 316 Stainless Steel 38x38x3mm SHS

C



NAME:
Turtle Tough Immersion Rod

SCALE:
Not to scale

DRAWING
NUMBER:

REVISION
NUMBER: V4

APPROVED BY:

1

2

3