

General Specifications	
Part Number	TT-6005
Description	Cyanide Ion Selective Sensor
Concentration Range	10 ⁻³ to 10 ⁻⁷ Molar, 26 to 0.002 ppm
Lowest Limit of Detection	10 ⁻⁷ Molar, 0.002 ppm
pH Range	11 to 13
Temperature Range	5 to 50°C
Pressure	6.9 to 138 kPa absolute (1 to 20 psig)
Body Type	¾" – 1" MNPT Integrated Cyanide Ion Selective Sensor, RADEL (Poly-Phenyl-Sulfone)
Junction Material	KYNAR (Poly-Vinylidene-Fluoride)
Dimensions	216mm Length, Maximum Diameter 33.3mm
Cable	RG 174/U Coaxial
Preamplifier	Not Fitted
Connection	BNC +TC lead wires
Ion Sensor Specifications	
Measuring Glass Type	Selective Cyanide Sensitive Membrane (solid state)
Dimension	7.8mm (0.310") Diameter
Initial Impedance	< 20 M Ohms @ 25°C
Interfering Ions	Given in Ratios of Permissible Excess: Interfering Ion / Measured Ion (in Molarity) OH ⁻ (10 ⁸), Cl ⁻ (10 ⁶), Br ⁻ (5x10 ³), S ²⁻ (trace)
Reference System Specifications	
Type	Double Junction
Reference Half Cell	Ag/AgCl, Saturated KCl
Primary Junction	Porous Ceramic, Saturated KCl in crosslinked polymer
Secondary Junction	Porous Kynar, Saturated with KCl in crosslinked polymer
Surface Area	236 mm ² (366,000 mil ²)
Special Features	Crosslinked polymer in the reference system is resistant to heat, solvents and to most chemicals. Sensor holds an excess of KCl, assuring saturation at all temperatures and extending the life of the sensor. The ion sensitive part of the sensor is designed to resist the attack of gold and silver, typically used in leaching processes. The construction of the sensor permits easy access to the sensing and reference surfaces for cleaning or inspection.
Application Specifications	
Recommended Applications	Cyanide ion concentration in aqueous solution from wastewater industrial process solutions.
Analyser / Interface	Turtle Tough TT-MA Analysers
Storage	Item should be kept at room temperature with closed protector cap. Shelf life warranted for 12 months from the date of purchase.
Warranty	12 Month Conditional Warranty. Please see www.turtletough.com.au/support/warranty-returns/

4

3

2

1

REVISIONS				
ZONE	REV	DESCRIPTION	DATE	APPROVED
2	1			

D

D

C

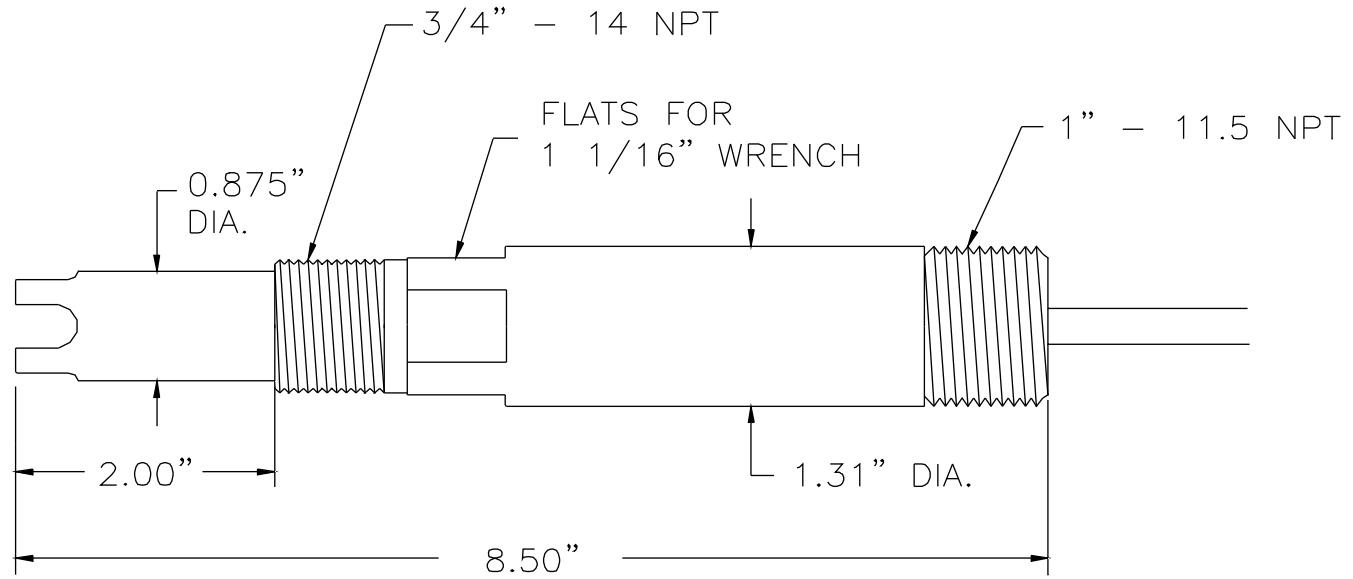
C


B

B

A

A



 TURTLE TOUGH	Turtle Tough Sensors www.turtletough.com.au			
	ION SELECTIVE SENSOR REF. DRAWING <6-2>			
DIMENSION	SIZE	WEB NO.	DWG NO.	REV
DRAWN BY:	2			1
	SCALE NONE	DATE:	SHEET 1 OF 1	

4

3

2

1